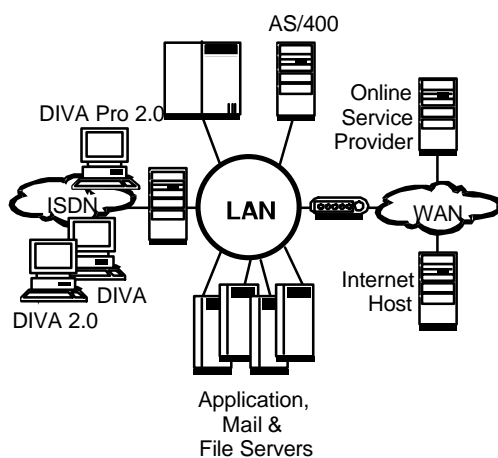


DIVA Desktop Solutions

Eicon Technology's DIVA family of ISDN interface cards are ideal client solutions for remote users requiring reliable, high-speed access from their desktop to the networked enterprise. Eicon offers two desktop solutions: DIVA 2.0 and DIVA Pro 2.0. Truly Plug and Play, both cards are available in ISA and PCI bus formats, with either S/T interface, for worldwide use, or with an integrated NT1 for North American use.

With the SOHO market definitely on the rise, the necessity for fast and reliable communications from remote locations is clearly in demand. The DIVA 2.0, a low-cost, data-only solution, is ideal for high-speed access to the Internet. The DIVA Pro 2.0 is a full-featured ISDN interface card for power users. Based on DSP (Digital Signal Processor) technology, the DIVA Pro 2.0 offers unique communications to both ISDN and analog devices over ISDN.

Available with the *ISDN Software Suite for DIVA*, these desktop interface cards are specifically designed to take full advantage of Windows 95 and Windows NT, providing remote workstations with reliable high-speed access to corporate intranets and the Internet.



Complete Remote ISDN Access for SOHO Users

■ Product Highlights

- Worldwide Communication
- Full WAN Connectivity
- Full CAPI Compliance
- Trace Diagnostic Tool
- ISA and PCI Bus Formats
- Fully Plug and Play
- EZ-ISDN1 Compliant
- POTS Enabled
- Full Windows Support
- DIVA 2.0- V.120 Rate Adaptation; Fax Support
- DIVA Pro 2.0- Analog over ISDN; DSP for ISDN; Rate Adaptation; Fax Support

What's in it for the SOHO user?

SOHO users need fast and reliable dial-up connections to corporate networks and on-line information services to access information they would normally have from their corporate LAN, like email and databases.

The DIVA desktop ISDN interface cards provide high-speed and reliable ISDN access for remote users to corporate LANs and the Internet. By supporting two B-channels, multi-tasking is possible, providing SOHO users with a more efficient communications solution.

Feature	Benefit
Worldwide Communication Ability	The DIVA interface cards operate by supporting two B-channels for data transmission with transfer rates of 64kbps each, and one D-channel for call set-up, with a transfer rate of 16kbps. The D-channel protocols support major national ISDN-protocols. The DIVA ISDN interface cards are equipped with either an S/T interface or an integrated NT1 (primarily for North American users), which allows the U-Interface to accommodate the connection between the ISDN line and ISDN device. The support of D-channel protocols and the availability of both interfaces facilitates ISDN communications anywhere in the world.
Full WAN Connectivity	When used in conjunction with the appropriate software, Eicon's DIVA ISDN interface cards allow remote stand-alone PCs to communicate with central site LANs, remote access distributed servers, traditional host computers, and on-line information services over ISDN. The DIVA interface cards enable clients to access networks at least twice the speed of the fastest analog modem.
Full CAPI 2.0 Compliance	Eicon's DIVA ISDN interface cards provide an integrated solution that enables new applications to operate transparently over ISDN. This is accomplished by DIVA's support for CAPI (Common Application Programming Interface), an industry standard for cross-platform software compatibility. Any application written to CAPI 2.0* is supported by the DIVA interface card, making it a compatible and non-proprietary ISDN solution. <i>* CAPI 1.1 is only supported with DOS</i>
Trace Diagnostic Tool	The trace diagnostic tool for the B- and D-channels provides information about the card's status in the event of a problem.
ISA and PCI bus Formats	Depending on the bus requirements of the PC, the DIVA 2.0 and DIVA Pro 2.0 are available in both ISA and PCI bus formats.
Plug-and-Play Support	With ISA Plug-and-Play support, in accordance with Microsoft/Intel standard, the DIVA 2.0 series of interface cards provide easy configuration of the card, ensuring trouble-free installation into the PC. The PCI Plug-and-Play support (compliant with PCI spec. 2.1) guarantees that the card is automatically configured through the system. There are no jumpers required and no switches to set - simply plug in the card and play!
EZISDN1 Compliant	All DIVA ISDN interface cards are certified for EZ-ISDN1 (North America only) which simplifies the ordering of ISDN lines. DIVA users can simply call a local service provider and request EZ-ISDN1 compatible service to set-up their ISDN line.
POTS Enabled	The DIVA 2.0 series of interface cards are POTS enabled, which allows these interface cards to operate with the DIVA POTS Option* allowing the use of existing analog telephone devices, including fax machines, over the ISDN line. <i>*Operates with Windows 95 only</i>

Full Windows Support

The DIVA 2.0 series is available with the *ISDN Software Suite for DIVA*, a CD containing all necessary software for Windows 95, Windows NT, Windows for Workgroups 3.11 and DOS. This CD also contains Microsoft's ISDN Accelerator Pack 1.1, Microsoft Internet Explorer 3.0 and NetMeeting.

What's in DIVA 2.0 for the SOHO user?

To be successful in today's fast-paced environment, SOHO users require fast access to information.

To satisfy the increasing demand for an efficient and economical work environment, the DIVA 2.0 is the ideal solution for users who are looking for a low-cost, data-only ISDN interface card to supply fast and reliable communications to the Internet and the corporate intranet.

<i>Feature</i>	<i>Benefit</i>
Rate Adaptation	With V.120 rate adaptation, the DIVA 2.0 is able to connect to CompuServe and other on-line services.
Group 3 and 4 Fax Support	The DIVA 2.0 provides both Group 3* and Group 4 fax support allowing users to send a FAX over ISDN right from the desktop. * 3 rd party software required

What's in DIVA Pro 2.0 for the SOHO user?

To provide timely and accurate responses to their customers, SOHO and remote corporate users need fast and efficient dial-up connections to corporate intranets and the Internet.

The DIVA Pro 2.0 is suited for users who primarily connect to ISDN devices, but who still have the need to occasionally connect to an analog modem or send a fax to an analog fax machine. Not only can information be transmitted digitally, but the DIVA Pro 2.0 permits analog communications over ISDN, providing SOHO users with an extremely flexible communications solution.

Feature	Benefit
Supports Analog over ISDN	For situations where information can only be accessed over an analog connection, the DIVA Pro 2.0 offers remote users the flexibility of analog communication over ISDN, via V.32bis modem emulation*. With the DIVA Pro 2.0, data can be both received from, and sent to, a modem over ISDN, allowing the remote user to access information from services which may not support digital communications. <i>*currently only available under Windows 95. V.34bis planned</i>
DSP for ISDN	The Digital Signal Processor (DSP) featured in the DIVA Pro 2.0 is a communications processor programmed specifically for ISDN which handles all Layer 1 protocols that would otherwise be off-loaded to the PC's CPU. This processor ensures maximum security of data transmissions, higher speed (33MIPS) and extensive storage capacity. As a result, it reduces the load on the system, allowing the PC to perform faster and more efficiently.
Rate Adaptation	The DIVA Pro 2.0 supports connections to both V.110 (Europe) and V.120 (North America) allowing access to on-line services.
Group 3 and 4 FAX Support	The DIVA Pro 2.0 provides both Group 3 and Group 4 fax support allowing users to send a FAX over ISDN right from the desktop, using popular applications such as Microsoft Exchange.

Eicon Technology Corporation

Tel.: (514) 745-5500
Fax: (514) 745-5588

In the United States, Canada, Latin America:

Tel.: 1-800-80-EICON
(214) 239-3270
Fax: (214) 239-3304

In Europe, Middle East, Africa:

Tel.: (44) 181 967-8000
Fax: (44) 181 967-8050

In Australia, New Zealand, Asia:

Tel.: (61) 2 9919-7200
Fax: (61) 2 9929-6300

Internet:

North America: sales@eicon.com
Europe: sales.europe@eicon.com
Asia Pacific: sales.asiapac@eicon.com
Worldwide Web: <http://www.eicon.com/>



© 1997 Eicon Technology Corporation. All rights reserved.
All trademarks or registered trademarks are the property of their respective owners.